

JOVEN[®]
since 1983
Bringing Innovation Home™



CENTRALISED MULTI-POINT SYSTEM

Storage Water Heater

With Quad Safety System and Heat Elevator® Technology



* Refer To Warranty Terms & Conditions



* Refer To Warranty Terms & Conditions

4X
QUAD SAFETY SYSTEM

HEAT ELEVATOR[™]
ENERGY SAVING DEVICE

20%
ENERGY SAVER*



Innovative Heat Elevator® Technology

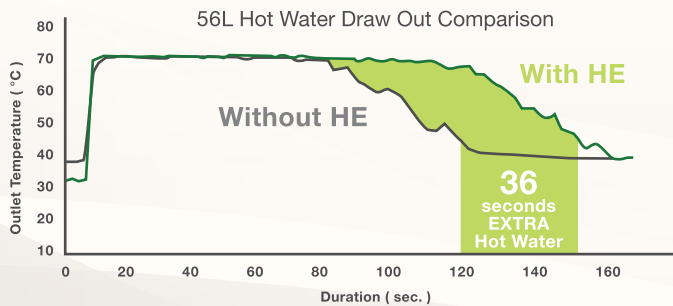
Heat Elevator® (HE) technology is the world's first innovation that uses patented magnetic device to accelerate the convective heat transfer and improve heat stratification in water. The magnetic device is uniquely designed to weaken the inter-molecular bonding energy and accelerate the movement of water molecules to improve heating efficiency.

Saves Energy Up To 20%

Enjoy lower electricity bills while contributing to a cleaner and greener lifestyle for you and your family. The HE storage water heater saves electrical energy consumption by up to 20% compared to conventional storage water heater. This innovative green technology is widely recognised by the leading certification bodies in Singapore.

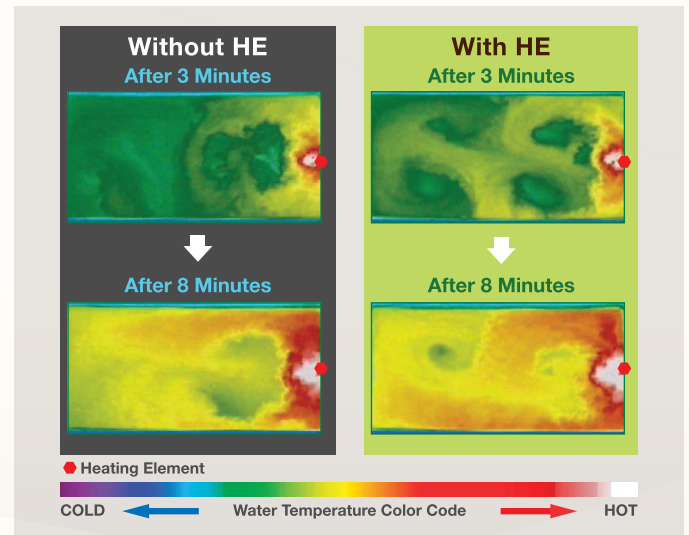
Tank	38L	56L	68L	91L
Energy Efficiency Improvement	9%	27%	15%	17%
*See Note				

The HE storage water heater ensures more consistent, uninterrupted and longer flow of hot water. The magnetic device is uniquely designed to weaken the inter-molecular bonding energy and accelerate the movement of water molecules ensuring faster initial heating time.



How Does It Work?

The comparative photos below shows the effect of HE which cause more heat loops than conventional storage water heater. The heated water is spread wider across the heater tank, thus ensuring less heat trapped at the heating element, therefore prolong the heating element life and generate more hot water in the tank.



- * Note:
1. Test results are courtesy from TUV SUD PSB PTE LTD.
 2. Test method is based on USA test guidelines (DOE 10 CFR Part 430)
 3. Incoming water condition : temperature 14.4°C, pressure 2.75 bar & flow rate 11.4 Litre/min.
 4. Result varies and are based on 15L to 91L capacities.
 5. Available for JSH models only.

JSH SERIES Horizontal Mounting



JSH 25
25 Litres
5.5 Imp. Gallons



JSH 35
35 Litres
7.7 Imp. Gallons



JSH 38
38 Litres
8.4 Imp. Gallons



JSH 50
50 Litres
11.0 Imp. Gallons



JSH 56
56 Litres
12.3 Imp. Gallons



JSH 68
68 Litres
15.0 Imp. Gallons



JSH 91
91 Litres
20.0 Imp. Gallons

JSV SERIES Vertical Mounting



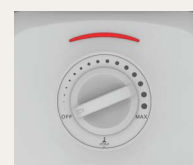
JSV 25
25 Litres
5.5 Imp. Gallons



JSV 35
35 Litres
7.7 Imp. Gallons



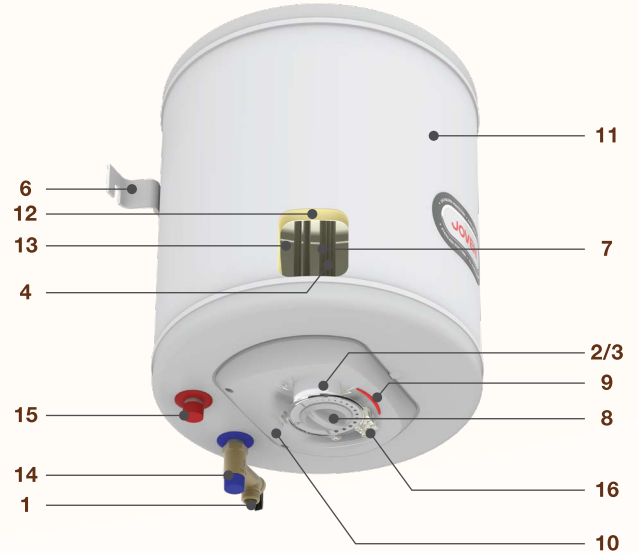
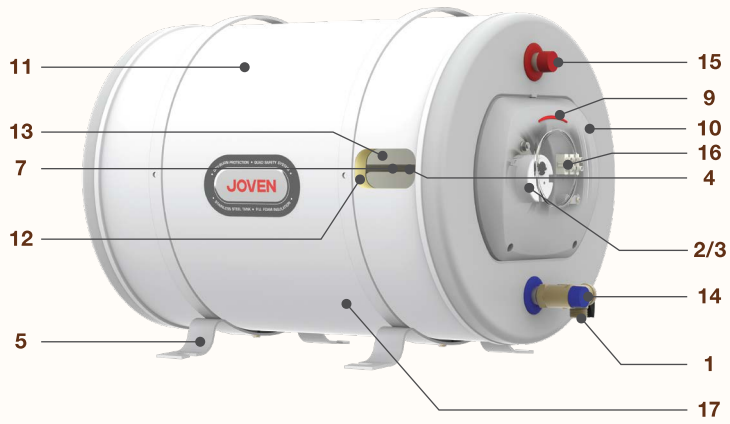
JSV 50
50 Litres
11.0 Imp. Gallons



Adjustable Temperature Control Knob

Conveniently set your ideal water temperature.

Identification Details



JOVEN Quad Safety System (QSS)

1. Safety Pressure Relief and Drain Valve

- The safety pressure relief is preset to 7 bars to relief excessive pressure build-up in heater tank during heating process.
- Built-in drain valve to facilitate water drain out during pressure relief or servicing.

2. Thermostat

- Thermostat (For JSH only)
 - Preset to 65°C for maximum ready to use hot water.
 - Energy Saving.
- Adjustable thermostat (For JSV only)
 - Conveniently set your ideal water temperature from 'OFF' to 'MAX' (Approx. 70°C).
 - Energy Saving.

3. Safety Cut-Out

- The Safety cut-out will break the circuit if the water temperature becomes too high (95°C).

4. Dry-Burn Protection

- Protect the heating element from dry burnt when heater tank is not filled with water.
- Overheating protection and prevent fire hazard.

5. Patented Universal Mounting Ring Bracket (For JSH only)

- Allowing flexibility in mounting the heater in any horizontal positions.
- Anti-rust treated and epoxy coated for better durability.
- Safer mounting with expansion bolts.

6. Vertical Hook-on Bracket (For JSV only)

- Snap-hook design for easy installation.
- Anti-rust treated and epoxy coated for better durability.
- Safer mounting with expansion bolts.

7. Heating Element

- Sheathed for high reliability.
- High power for performance.
- Low watt density for higher efficiency and reliability.
- Easy to replace.

8. Adjustable Temperature Control Knob (For JSV only)

- Conveniently set your ideal water temperature from 'OFF' to 'MAX'.
- Energy saving.

9. Indicator Lamp

- Red : HEATER

10. Installation Cover

- High quality flame retardant ABS plastic.
- Easy access for service.

11. Heater Enclosure

- Electro-galvanised steel anti-corrosion treated and epoxy coated for better durability.

12. Insulation Foam

- High density CFC free polyurethane foam of 2.5 lb per cu.ft to prevent heat loss, thus saves electrical energy.

13. Stainless Steel Heater Tank

- Thick gauge stainless steel to withstand rust and rupture.
- Designed to ensure no water leakage.
- 5-years stainless steel inner tank leak proof warranty.

14. Inlet Pipe 1/2" BSP – Stainless Steel

15. Outlet Pipe 1/2" BSP – Stainless Steel

16. 3-Way Wire Connector

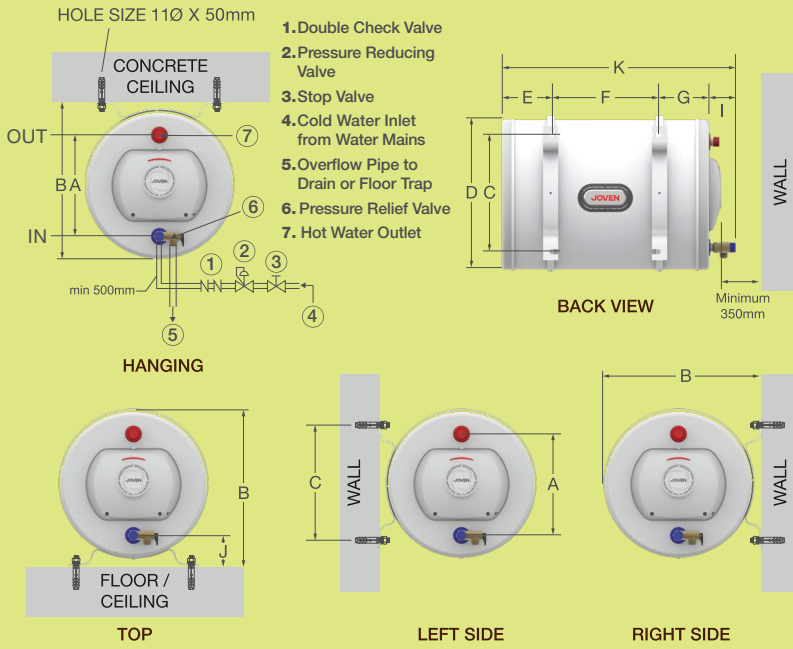
17. Heat Elevator®

Capacity Recommendation Simultaneous (Usage all points at once and subject to recommended water flow rate)

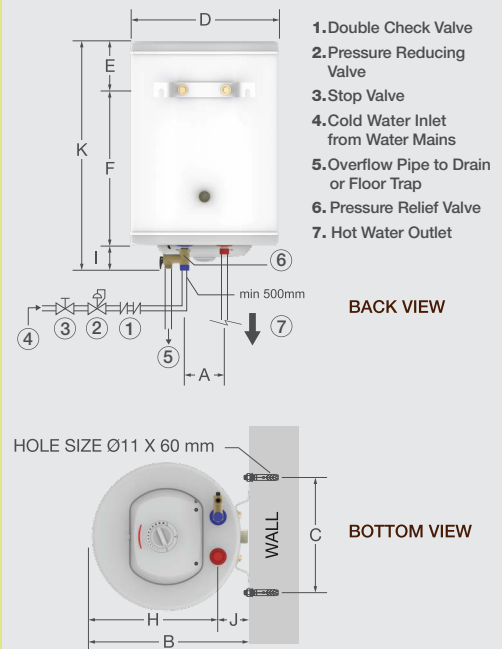
CAPACITY	NORMAL SHOWER (6-10 cm / 2-4 inches)		RAINSHOWER (15-30 cm / 6-12 inches)	
25 Litres	• 1 Kitchen Sink	OR	• 1 Normal Shower	
35 Litres	• 1 Normal Shower	AND	• 1 Wash Basin	• 1 Rain Shower 6"
38 Litres	• 1 Normal Shower	AND	• 1 Wash Basin	• 1 Rain Shower 6"
50 Litres	• 2 Normal Shower			• 1 Rain Shower 8" • 1 Rain Shower 6" AND • 1 Wash Basin
56 Litres	• 2 Normal Shower			• 1 Rain Shower 8" • 1 Rain Shower 6" AND • 1 Wash Basin
68 Litres	• 1 Long Bath	OR	• 3 Normal Shower	• 1 Rain Shower 10" OR • 2 Rain Shower 6"
91 Litres	• 1 Long Bath	AND	• 1 Normal Shower	• 1 Rain Shower 8" AND • 1 Rain Shower 6" • 1 Rain Shower 12"

Installation Dimension

JSH SERIES HORIZONTAL MOUNTING



JSV SERIES VERTICAL MOUNTING



Model	Tank Capacity Litre (Imp. Gal)	Dimensions (mm)											Time Taken To Heat * (Min)		Approx. Wt. Kg (Empty/Full)
		A	B	C	D	E	F	G	H	I	J	K	1.5kW / 230V	3kW / 240V	
JSH 25	25 (5.5 Imp. Gals)	260	405	265	381	121	150	121	-	70	92	462	40	20	12 / 37
JSH 35	35 (7.7 Imp. Gals)	260	405	265	381	121	269	121	-	70	92	581	60	30	14 / 49
JSH 38	38 (8.4 Imp. Gals)	260	405	265	381	121	304	121	-	70	92	616	70	35	15 / 53
JSH 50	50 (11.0 Imp. Gals)	260	405	265	381	121	438	121	-	70	92	750	90	45	17 / 67
JSH 56	56 (12.3 Imp. Gals)	260	405	265	381	121	508	121	-	70	92	820	100	50	18 / 74
JSH 68	68 (15.0 Imp. Gals)	260	405	265	381	121	648	121	-	70	92	960	120	60	20 / 88
JSH 91	91 (20.0 Imp. Gals)	260	405	265	381	121	914	121	-	70	92	1226	160	80	25 / 116
JSV 25	25 (5.5 Imp. Gals)	100	393	217	372	121	271	-	316	70	77	462	40	20	12 / 37
JSV 35	35 (7.7 Imp. Gals)	100	393	217	372	121	390	-	316	70	77	581	60	30	14 / 49
JSV 50	50 (11.0 Imp. Gals)	100	393	217	372	121	559	-	316	70	77	750	90	45	17 / 67

* Approximate time taken to heat up to 70°C. Inlet water temperature at 27°C. (3kW / 240V)

ENHANCED SAFETY

With Quad Safety System (QSS)

Peace of mind with built-in protection technology designed for prolonged usage.

- Safety Pressure Relief and Drain Valve
- Thermostat
- Safety Cut-Out
- Dry-Burn Protection



POWERFUL

- Delivers up to 65°C of hot water
- Allow sharing between points
- Standard wattage 3kW / 240V



EASY MOUNTING

- Patented Universal Mounting Ring Bracket (For JSH Only)
- Flexible to all horizontal positions (Left, Right, Hanging and Top Mounting)



DURABLE

Built from high quality material that withstand rust and rupture ensure long-lasting life and stellar performance.

- Stainless Steel Tank
- Electro-Galvanised Steel Epoxy Coated Enclosure
- High Quality Engineering Plastic



RUST FREE MATERIALS

GREEN INNOVATION

- Heat Elevator® Technology saves energy by 20%
- Environmental Friendly CFC Free High Density Polyurethane Foam for maximum saving



CFC FREE INSULATION

Authorised Dealer



* Scan For Warranty Terms & Conditions

JOVEN ELECTRIC (S) PTE LTD

UEN No.199500898Z

No.10 Ubi Crescent, #02-18 Ubi Techpark, Singapore 408564

Tel: +65 6283 3181 / +65 6749 6421 | Fax: +65 6749 3575 Email: sales@jovenelectric.com | www.jovenelectric.com