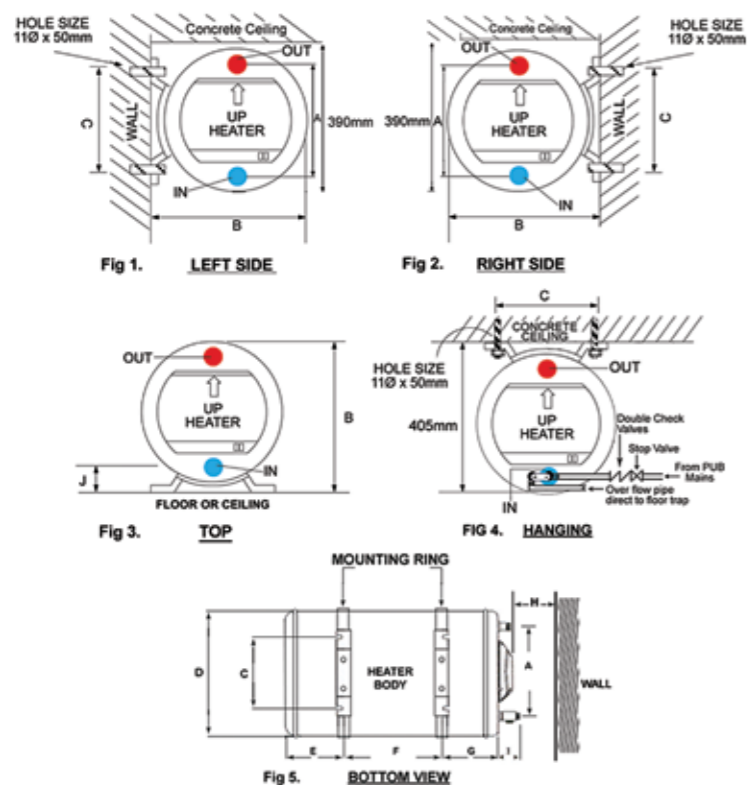
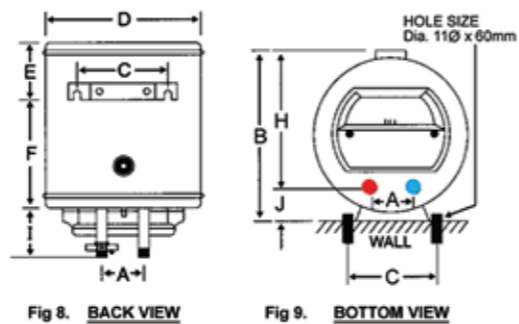


INSTALLATION DIMENSION

HORIZONTAL MOUNTING POSITION



VERTICAL MOUNTING POSITION



SPECIFICATIONS

Model	Tank Capacity (Litres)	Dimensions (mm)											Heating Element Wattage		Approx. Wt. Kgs (Empty/Full)
		A	B	C	D	E	E	G	H	I	J	Total Length	Standard	Option	
JH 15	15 (3.3 Imp. Gals)	260	405	265	381	96	70	96	300	65	92	327	3kW	1.5kW	10/25
JH 25	25 (5.5 Imp. Gals)	260	405	265	381	121	150	121	300	65	92	457	3kW	1.5kW	12/37
JH 35	35 (7.7 Imp. Gals)	260	405	265	381	121	269	121	300	65	92	576	3kW	1.5kW	14/49
JH 38	38 (8.4 Imp. Gals)	260	405	265	381	121	304	121	300	65	92	611	3kW	1.5kW	15/53
JH 50	50 (11.0 Imp. Gals)	260	405	265	381	121	438	121	300	65	92	745	3kW	1.5kW	17/67
JH 56	56 (12.3 Imp. Gals)	260	405	265	381	121	508	121	300	65	92	815	3kW	1.5kW	18/74
JH 68	68 (15.0 Imp. Gals)	260	405	265	381	121	648	121	300	65	92	955	3kW	1.5kW	20/88
JH 91	91 (20.0 Imp. Gals)	260	405	265	381	121	914	121	300	65	92	1221	3kW	1.5kW	25/116
JVA 25	25 (5.5 Imp. Gals)	100	393	217	372	121	271	-	316	65	77	-	3kW	1.5kW	12/37
JVA 35	35 (7.7 Imp. Gals)	100	393	217	372	121	390	-	316	65	77	-	3kW	1.5kW	14/49
JVA 50	50 (11.0 Imp. Gals)	100	393	217	372	121	559	-	316	65	77	-	3kW	1.5kW	17/67

HEATING CHART

Model	Tank Capacity (Litres)	Time Taken (Min)		Replacement Rate 43° Rise
		3kW	1.5kW	
JH 15	15 (3.3 Imp. Gals)	15	23	3kW/220V ~ 240V Heating Element - 63 litres (14 gals) per hour
JH 25	25 (5.5 Imp. Gals)	20	40	
JH 35	35 (7.7 Imp. Gals)	30	60	
JH 38	38 (8.4 Imp. Gals)	35	70	
JH 50	50 (11.0 Imp. Gals)	45	90	
JH 56	56 (12.3 Imp. Gals)	50	100	
JH 68	68 (15.0 Imp. Gals)	60	120	
JH 91	91 (20.0 Imp. Gals)	80	160	1.5kW/220V ~ 240V Heating Element - 32 litres (7 gals) per hour
JVA 25	25 (5.5 Imp. Gals)	20	40	
JVA 35	35 (7.7 Imp. Gals)	30	60	
JVA 50	50 (11.0 Imp. Gals)	45	90	

Approximately time taken to heat up to 70°C. (Inlet water temperature at 27°C.)

- Horizontal Model
- Vertical Model

Manufactured by: **JOVEN ELECTRIC CO.**

Authorised Dealer

JOVEN®

since 1983

Bringing Innovation Home

ELECTRIC STORAGE WATER HEATER

• MULTI-POINT SYSTEM •

Safe & Economical

10 YEAR LEAK PROOF WARRANTY

QUALITY TESTED AND APPROVED TÜV SÜD PSB SINGAPORE & SPRING SINGAPORE

- Stainless Steel Heater Tank Rust-Free Tank
- CFC Free Polyurethane Foam for Maximum Insulation
- 10-Year Leak Proof Warranty
- Triple Safety System:-
 - 1) Pressure Relief Valve
 - 2) Thermostat Safety Cut-Out
 - 3) Thermal Fuse
- Energy Saving & Energy Efficient Device - "Heat Elevator"



Vertical Model
Adjustable temperature control

Your assurance of quality, safety, reliability and service



Horizontal Model
Mounting Ring Bracket to Suit Horizontal Position



Joven Electric Company is a leading manufacturer of Electric Hot Water Systems in Southeast Asia.

The Joven brand name is your assurance of the highest quality, reliability and prompt after-sales service. The superior technical expertise of our R&D ensures constant innovation to respond to market changes and satisfy customers' demand for a better lifestyle.

Excellent Life Expectancy

Finest quality raw materials are used to attain superb standards. We use rust-free stainless steel heater tank to ensure clean hot water and excellent durability. Our confidence is reflected by our 10-years leak proof warranty.

Convenient Temperature Settings

Joven Vertical model has a control knob which allows temperature setting from 'OFF' to 70°C (Low – Medium – High). Under normal operation the thermostat cuts out at the set temperature – Low (about 40°C), Medium (about 50°C), High (about 70°C). When the hot water consumption is not in large volume, setting at Medium will minimize electrical consumption.

The horizontal model has a built-in thermostat which is pre-set at 65°C ± 5°C to provide maximum hot water, ready for immediate use.

Mounting Made Easier

A design registered mounting bracket allows flexibility in mounting the heater in any horizontal position to overcome space constraints in modern homes.

Centralised Multi-Point System

All you need is one heater to distribute hot water to your kitchen sink, long bath, shower, wash basin or even Jacuzzi.

Energy Saving and Energy Efficient

A patent approved device, 'Heat Elevator' that cause an increase of energy state in the water molecules such that the rate of heat transfer from the heating element to the surrounding water is accelerated. Hence, less electricity is needed. What's more, a compact polyurethane-foam insulation keeps the water hot and ready to use for much longer.

Tested For Your Safety

The Joven Triple System System (TSS) incorporates a Pressure Relief Valve, Thermostat Safety Cut-Out device and Thermal Fuse feature that prevent excessive pressure and temperature build-up in the heater tank. Each heater is also individually tested to 20 bars (300 psi), twice the maximum working pressure of 10 bars (150 psi) in compliance with IEC standards.

JOVEN®

since 1983

Bringing Innovation Home

ELECTRIC STORAGE WATER HEATER

• MULTI-POINT SYSTEM •

HORIZONTAL MODEL



JH 15 - 15 Litres (3.3 Imp. Gals)



JH 25 - 25 Litres (5.5 Imp. Gals)



JH 35 - 35 Litres (7.7 Imp. Gals)

JH 38 - 38 Litres (8.4 Imp. Gals)



JH 50 - 50 Litres (11.0 Imp. Gals)

JH 56 - 56 Litres (12.3 Imp. Gals)



JH 68 - 68 Litres (15.0 Imp. Gals)



JH 91 - 91 Litres (20.0 Imp. Gals)

VERTICAL MODEL



JVA 25
25 Litres
(5.5 Imp. Gals)



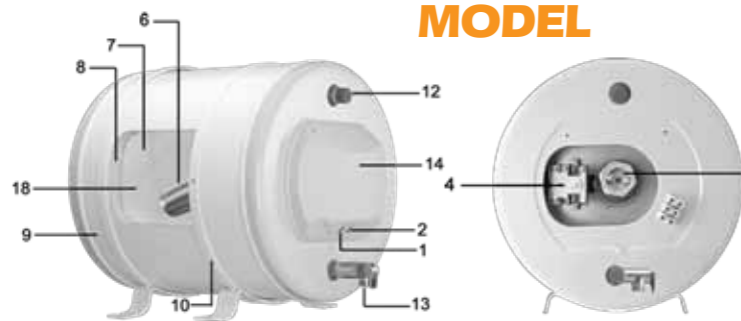
JVA 35
35 Litres
(7.7 Imp. Gals)



JVA 50
50 Litres
(11.0 Imp. Gals)

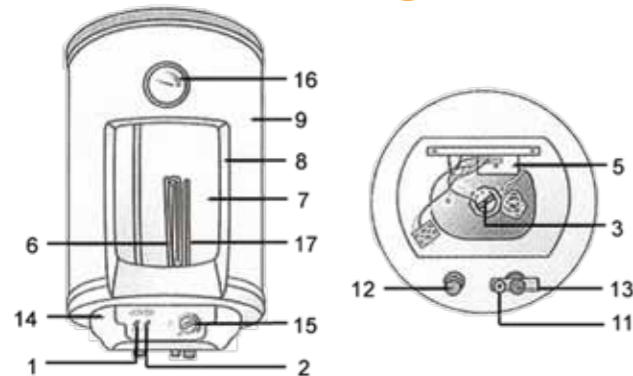
IDENTIFICATION DETAILS

HORIZONTAL MODEL

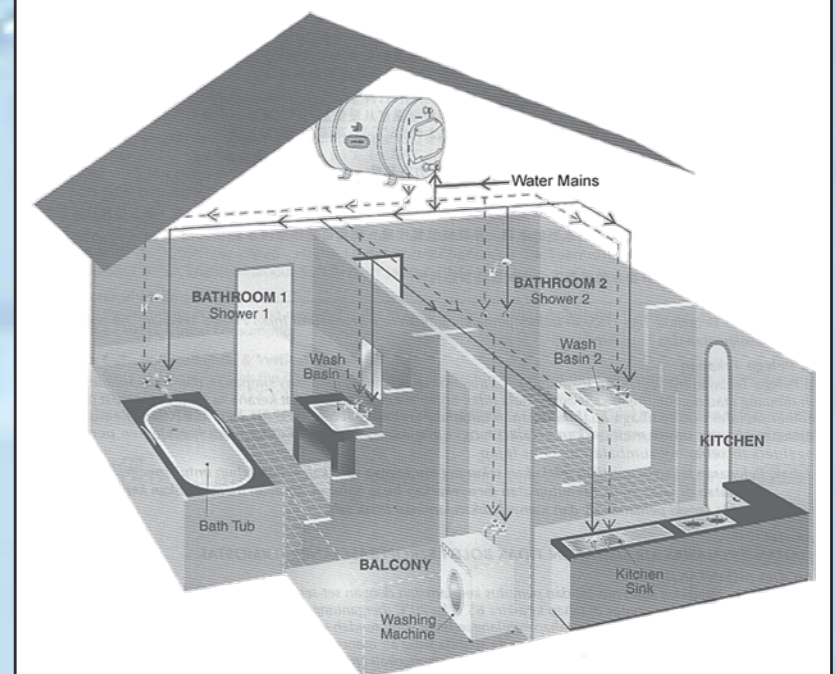


- 1/2. **Dual Indicator Lights**
Red: Water Heater Green: Mains.
3. **Thermal Fuse**
Protects heating element from dry burn.
4. **Thermostat (Horizontal Model)**
Surface mount thermostat pre-set at 65°C ± 5°C with safety cut-out at 95°C.
5. **Adjustable Thermostat (Vertical Model)**
Allows temperature adjustment from 'OFF' to 70°C (Low-Medium-High) with safety cut-out at 95°C.
6. **Heating Element**
Copper sheathed, high power, low watt density for faster heating and better reliability. Easy to replace.
7. **Stainless Steel Heater Tank**
Thick gauge stainless steel to withstand rust and rupture. Tested to 20 bars to ensure no water leakage 10 year leak proof warranty.
8. **Insulation Foam**
High density polyurethane foam of 2lb per cu. ft. to prevent heat loss ensuring minimum electric consumption.
9. **Heater Enclosure**
Electro-galvanised steel and anti-corrosion treated. Then epoxy coated and baked to high temperature for better durability.
10. **Design Registered Mounting Ring Bracket (Horizontal Model)**
Allowing flexibility in mounting the heater in any horizontal positions. Epoxy powder coated with expansion bolts for safe mounting.
11. **Safety Pressure Relief & Drain Valve**
Pre-set to 8 to 10 bars to prevent tank over pressure. Drain valve with lever to facilitate water drain out during servicing.
12. **Stainless Steel Outlet Pipe 1/2" BSP**
13. **Stainless Steel Inlet Pipe 1/2" BSP**
14. **Installation Cover**
High quality ABS plastic. Easy access for repair.
15. **Adjustable Thermostat Knob (Vertical Model)**
Allows water temperature adjustment.
16. **Thermometer (Vertical Model)**
Indicates hot water in the tank.
17. **Thermostat Tube (Vertical Model)**
Controls water temperature.
18. **Heat Elevator – Option**
(Horizontal Model – JH ONLY).

VERTICAL MODEL



HORIZONTAL MODEL



— Cold Water Pipe
- - - Hot Water Pipe